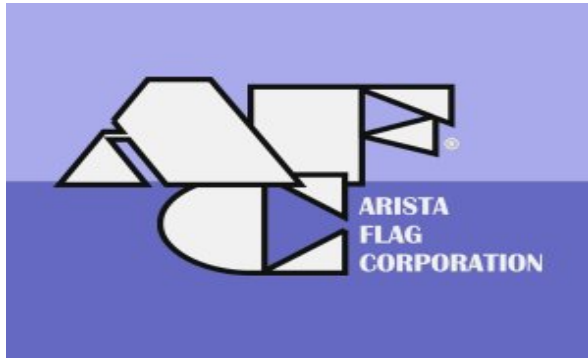


SELF STANDING BANNER STANDS

Quality Custom-Made



CUSTOM SELF STANDING BANNERS

Banner Stands, Floor Stands
Frame Stands and Display Systems



FLOOR STANDS

For Flag and Banner Pole Displays



VICTORIAN STAND

Durable 5.5 lb. Cast iron stand with 1" bore and gilt finish. Suggested for flag displays with poles up to 8".



ADMIRAL (AM-G)

18 lb. Cast iron stand with gold anodized aluminum plating, up to 1 1/4" dia. bore and 11 1/2" dia. base.



ADMIRAL (AAA)

18 lb. Cast iron stand with gold anodized aluminum plating, 1 1/4" or 1 3/8" dia. bore and 11 1/2" dia. base.



COMMODORE

10 lb. stand with gilt finish, 1" to 1 1/4" dia. bore and 11 1/2" base. This stand can be weighted or not weighted.



MINIATURE FLAG STANDS

Bases range from 2 1/2" up to 5 7/8" and may hold from 1 to as many as 10 flags ranging in sizes from 4x6" to 12x18".

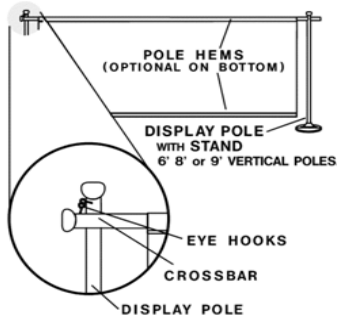
Call 845-246-7700 for more info.



BRASS HOOK & EYE COMBINATION

Hardware combination used to attach a crossbar to a vertical pole.

Self Standing Banner Display



The display shown here requires:

- Two vertical poles
- Two floor stands
- One crossbar
- Two hook and eye combinations
- Acorn ends or finials
- Display banner
- Optional bottom crossbar for weight

FRAME STANDS

This SUPREME FRAME STAND works in conjunction with either an 8' or 10' Supreme Banner Frame.

The frame and stand are made of lightweight aluminum tubing and comes complete with all necessary hardware and assembly instructions.



The Supreme Banner Frame is meant to be used for marching banners in a parade or competition setting. This frame can be then mounted to the Supreme Frame Stand and used to display any type of banner. These items are sold separately.

Detailed **PDF Information Sheets**
for all products now available for
download at

www.aristaflag.com

Arista Flag Corporation

157 West Saugerties Road
Saugerties, New York 12477

Phone: 845-246-7700

Fax: 845-246-7786

Email: sales@aristaflag.com

TRIPOD STAND



With its professionally finished appearance and quick setup, this display makes a great addition to any tradeshow exhibit.

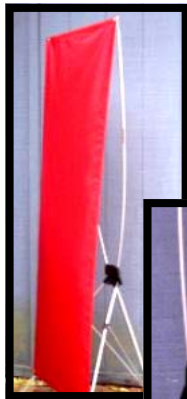
This lightweight display is *available in three sizes* to hold different sized banners with grommets.

AVAILABLE IN 3 SIZES!

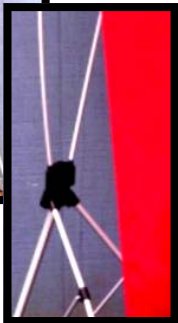
24" x 48" 24" x 60 24" x 70"

Banners to fit Tripod Stands can be custom-made using any of these methods:

Sewn and Appliquéd on Nylon, Dye-Sublimation on Polyester or Soljet Solvent Ink printed on Vinyl



- Lightweight fiberglass and plastic construction
- Weighs just 3 pounds!
- Portable - sets up in seconds!
- Free carrying case!



You can make an immediate online purchase of these Tripod Stands at our [e-Store!](http://www.aristaflag.com) Visit:

www.aristaflag.com

MESSENGER-X



This versatile banner stand, with its easy assembly and lightweight aluminum frame, can telescope vertically from 55" to 94" in height and accommodate banners from 24" to 36" wide!

The **Messenger Stand** is designed for interior use only.

AVAILABLE IN 3 WIDTHS!

24", 30" AND 36"

Each of the three widths are adjustable between 55" and 94"

Banners to fit Messenger Stands can be custom-made using any of these methods:

Sewn and Appliquéd on Nylon, Dye-Sublimation on Polyester or Soljet Solvent Ink printed on Vinyl

SUGGESTED BANNER SIZES

**24"x 55" up to 94" or
30"x 55" up to 94" or
36"x 55" up to 94"**

Let us be your Flag-Maker!



Use with banners designed to accommodate 2" crossbars top and bottom.

SWING STAND



This stylish banner stand assembles in minutes without tools. The upright pole telescopes from 48" to 90" high. The Swing Stand is supported by a 14" heavy metal base and holds one banner 24" wide with grommets positioned at 3" and 21" (18" span between grommet centers) on the top of the banner.

Banners to fit Swing Stands can be custom-made using any of these methods:

Sewn and Appliquéd on Nylon, Dye-Sublimation on Polyester or Soljet Solvent Ink printed on Vinyl



SUGGESTED BANNER SIZES

**20" to 24" Width x
48" up to 90" Height**



Visit www.aristaflag.com for more info on these and other available banner stands.